



BENTOBUILD

SERIES **001**  
INTALLATION  
GUIDE

# DISCLAIMER

Due to potential differences in wall construction, floor finish, hardware selection, and overall quality of Lattice System installation, Bento cannot specify loading restrictions for the Series 001 System.

Series 001 cabinets are designed to support reasonable loads over the course of their lifetime. Avoid overloading cabinets, only using them for their intended purpose and distributing weight evenly. They are not intended for use outside of their specified purpose.

Similarly, we do not recommend standing or sitting on any part of the System, other than parts specifically designed by Bento for that purpose. Bento is not responsible for the condition or strength of the wall or ensuring the Lattice System is mounted correctly. Similarly, Bento cannot be held liable for any failure to follow the specified guidelines.

Please refer to the BentoBuild Contractor's Guide and Lattice Installation Guide for details of assembly.



**Note:**

After delivery, store cabinets in a space with 40 to 50 percent relative humidity. Humidity above 70 percent or below 20 percent is likely to cause warping or damage to finishes. If stored in a garage, basement or other space where humidity and temperature differ from the room where the cabinets will be installed, allow 1-2 days for cabinets to acclimate to their final environment before installation.

# 1

## HANGING CABINETS

1.1 Instructions .....	05
1.2 Kitchen Installation .....	07

# 2

## ADJUSTING CABINETS

Instructions .....	08
--------------------	----

# 3

## FITTING TOE KICKS

Instructions .....	12
--------------------	----

# 4

## FITTING COUNTERTOPS

Instructions .....	17
--------------------	----

# 5

## SEAMING THE COUNTERTOPS

Instructions .....	19
--------------------	----

# 6

## FITTING THE BACKSPLASH

Instructions .....	20
--------------------	----

# 7

## FITTING SPECIALTY ITEMS

Installing T-Nuts into Pegboards .....	23
--	----

# 8

## APPLIANCE CASES

8.1 Sink .....	25
8.2 Dishwasher .....	29
8.3 Microwave Cabinet .....	32
8.4 Refrigerator .....	33
8.5 Oven .....	35
8.6 Cooktop .....	37
8.7 Hood .....	38

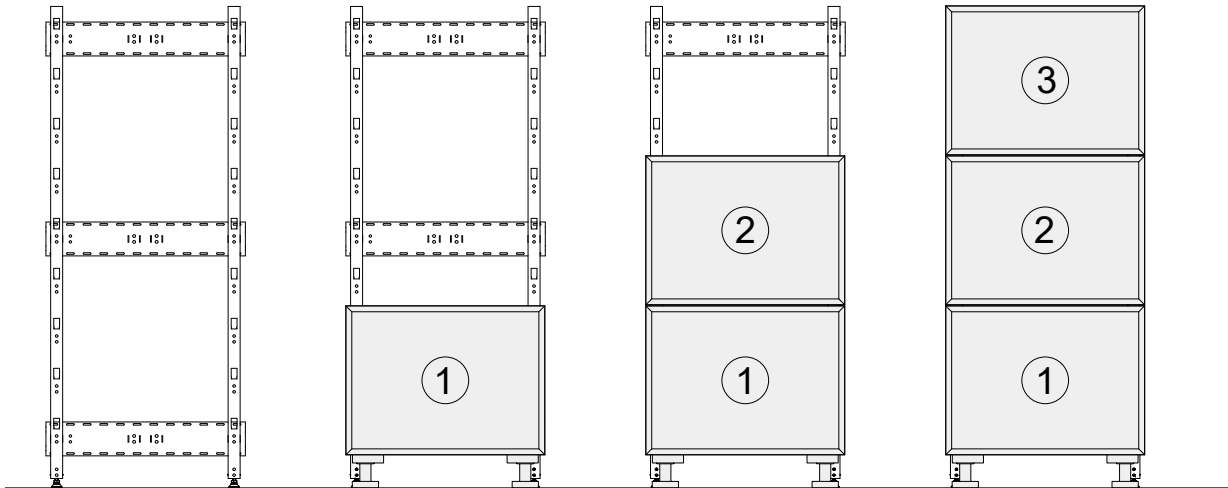


# 1 HANGING CABINETS

## 1.1 Instructions

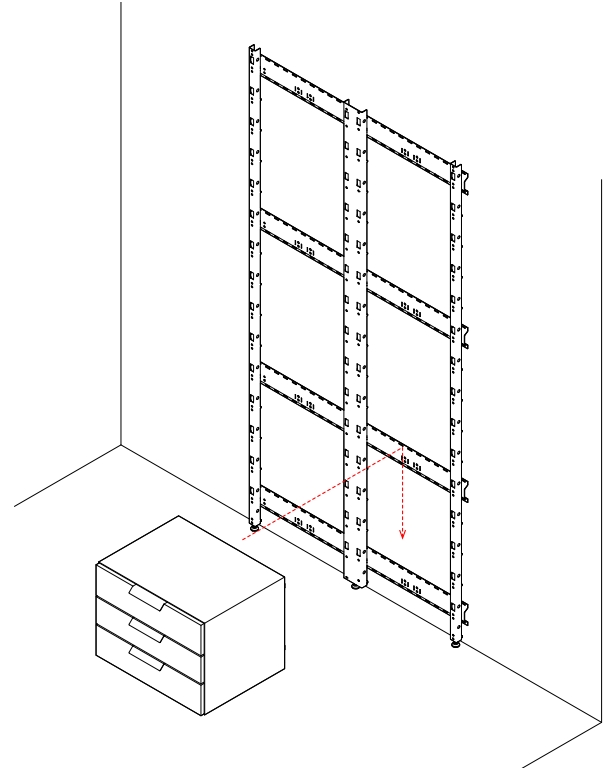
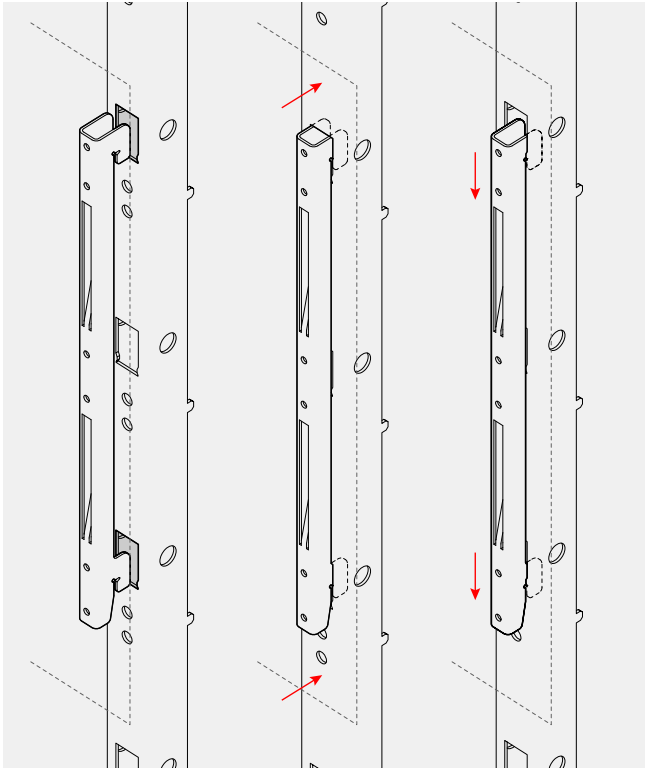
### Step 1

BentoBuild modules should be installed from bottom to top.



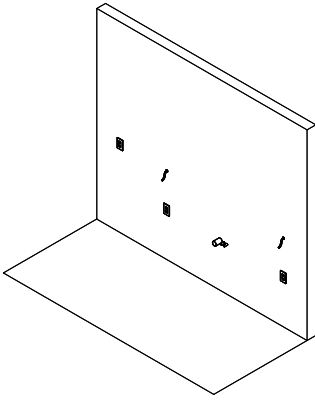
**Step 2**

Line up cleats at the back of module with slots in struts. Drop each cleat into corresponding slots until cleat rests fully in each slot. Ensure cleats are fully engaged in struts before continuing to the next step.

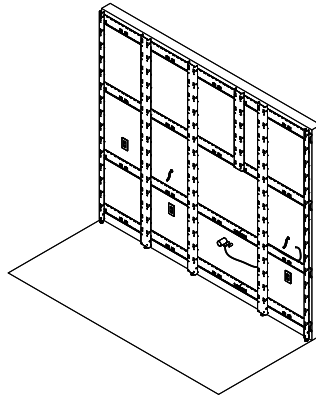


## 1.2 Kitchen Installation

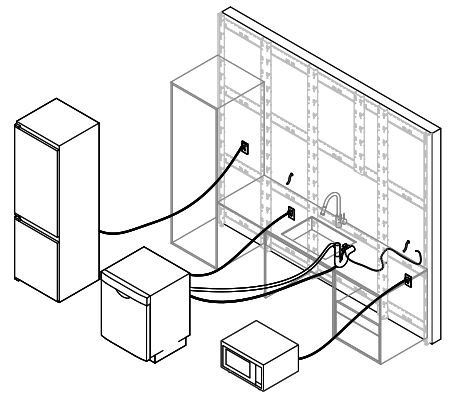
**1** Roughed-in, finished wall



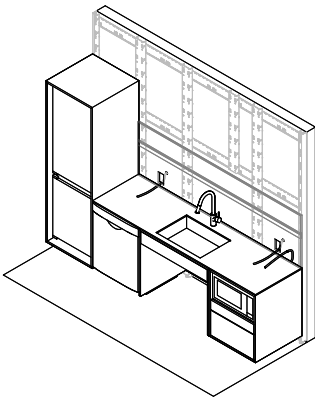
**2** Install Lattice System



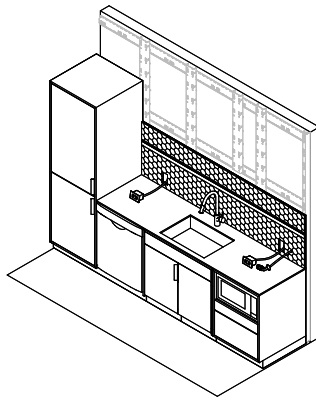
**3** Identify plumbing and electrical connections



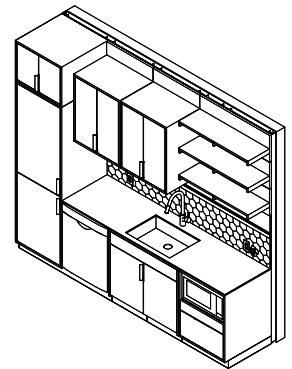
**4** Install base modules and appliances



**5** Run utilities through backsplash and install



**6** Install remaining modules

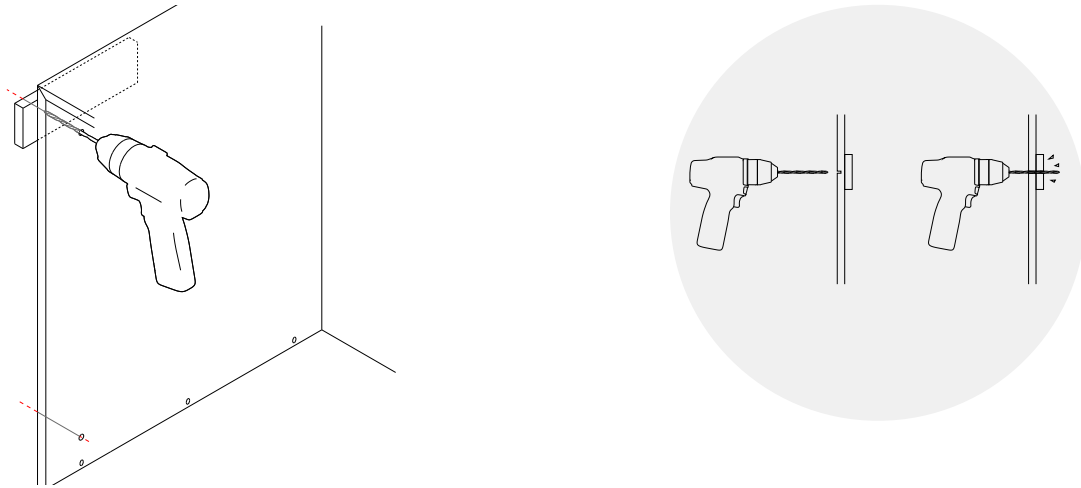


# 2 ADJUSTING CABINETS

## Instructions

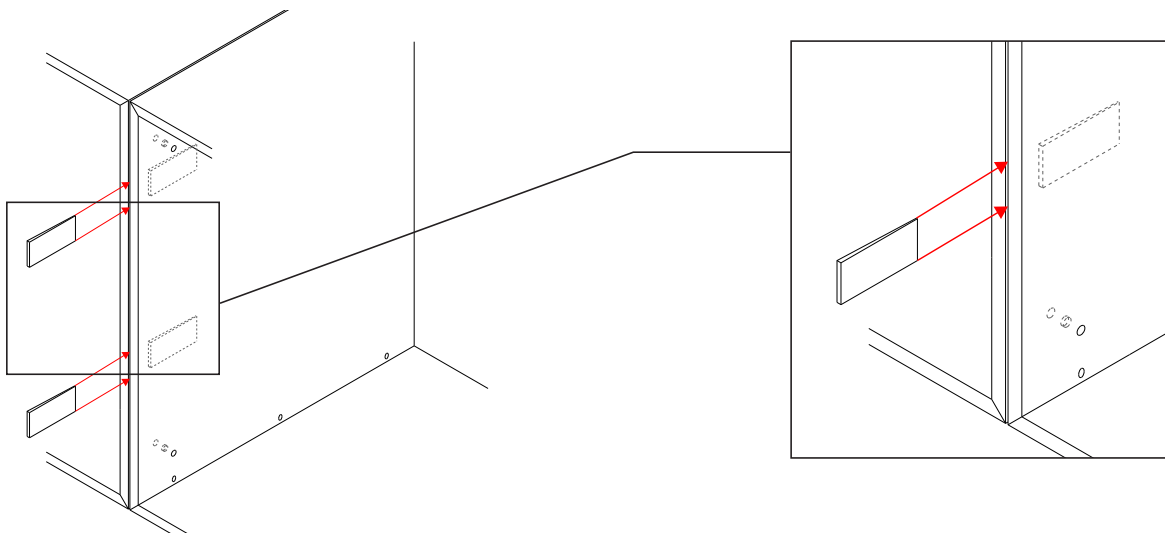
### Step 1

Drill out blind holes on cabinet interiors.  
Drill into scrap wood blocking to avoid chip out.



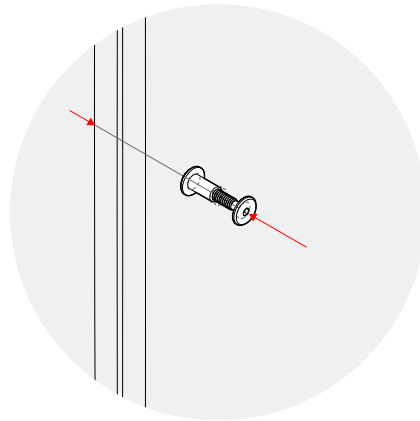
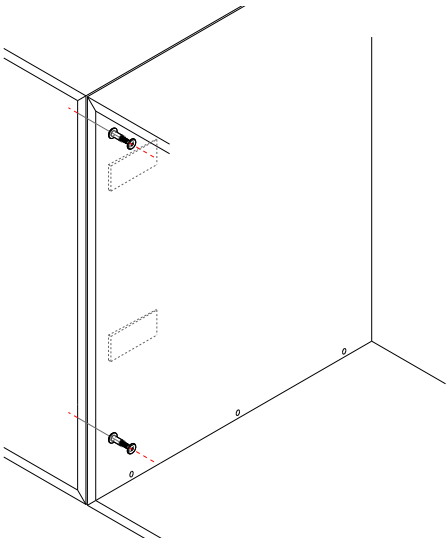
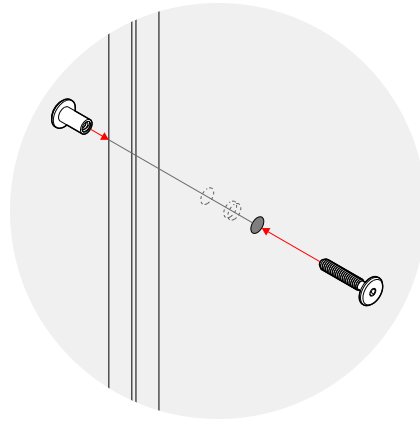
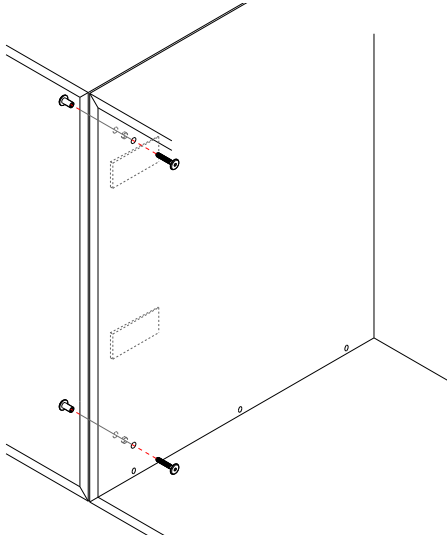
### Step 2

Insert shims as necessary to create an  
1/8" gap between modules.



**Step 3**

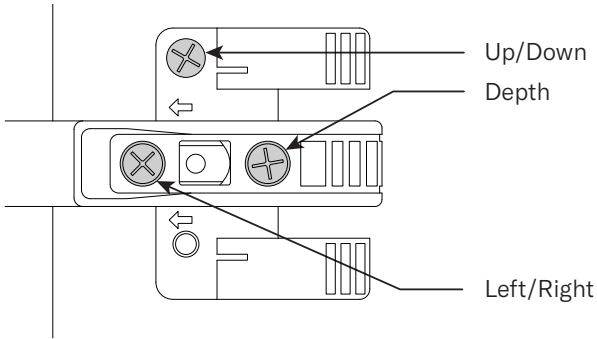
Use connector bolts to attach adjacent modules.



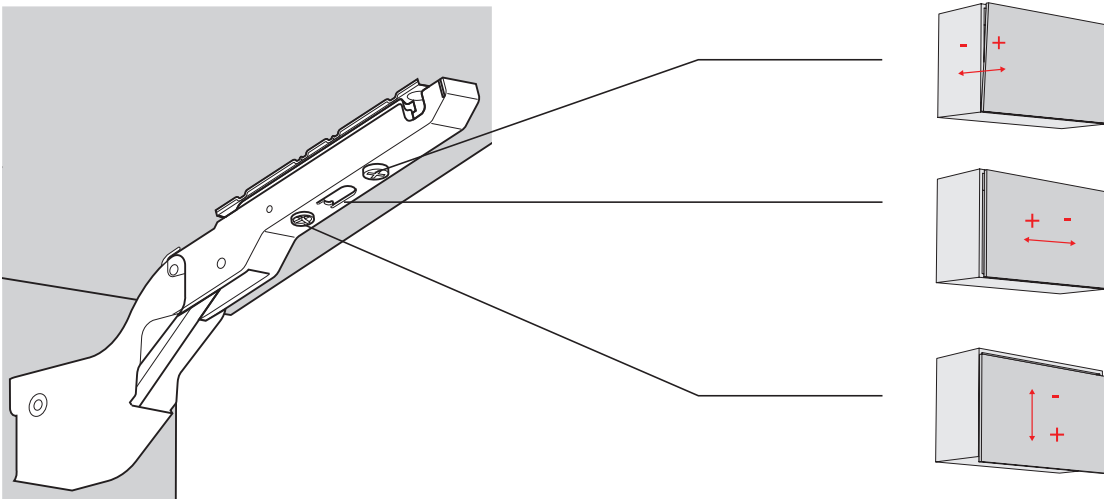
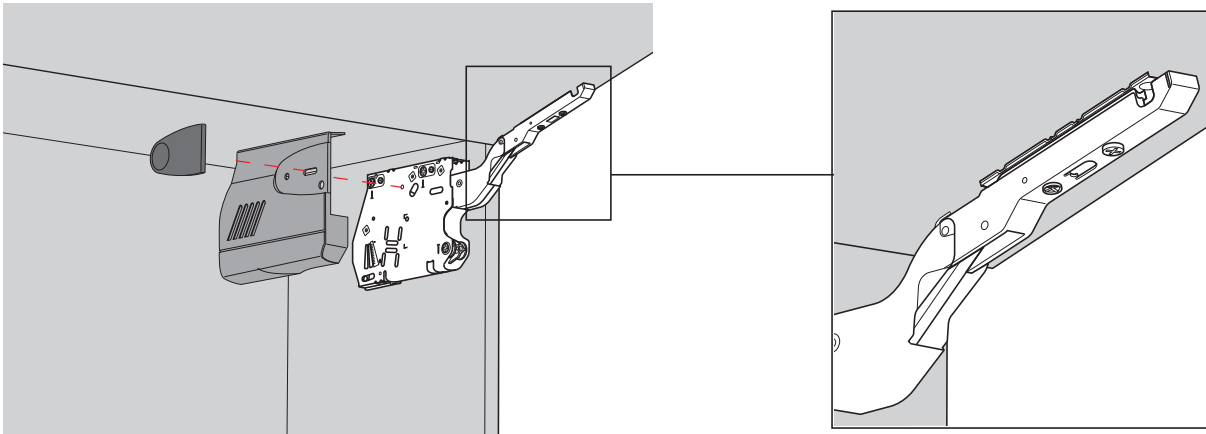
**Step 4**

Adjust Euro hinges and flip-up hinges as necessary.

**EURO HINGES**

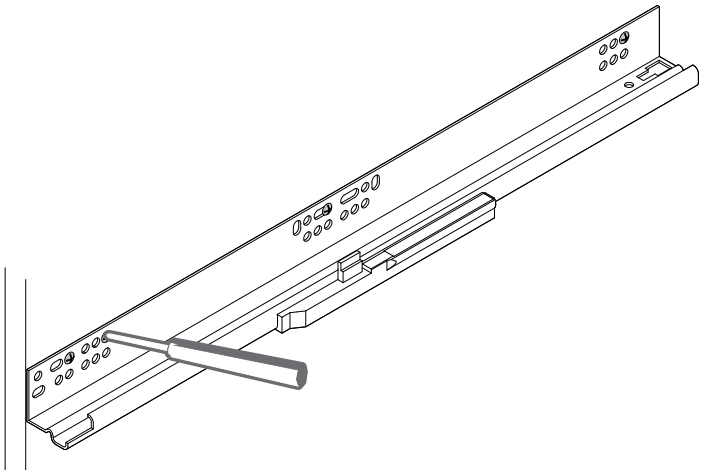


**FLIP-UP HINGES**



**Step 5**

Adjust drawer slides as necessary.

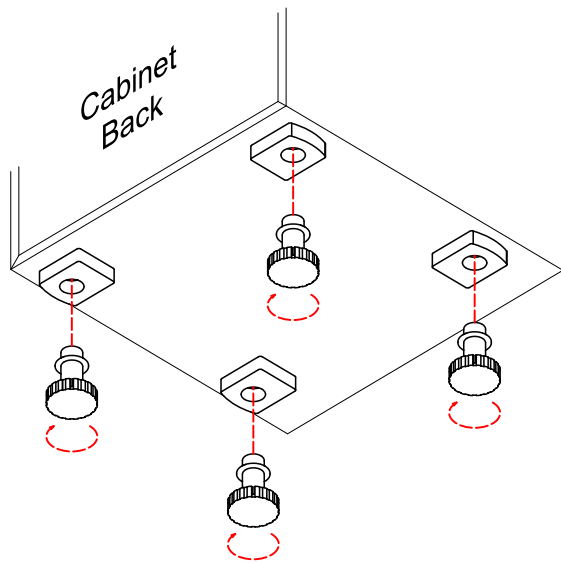


# 3 FITTING TOE KICKS

## Instructions

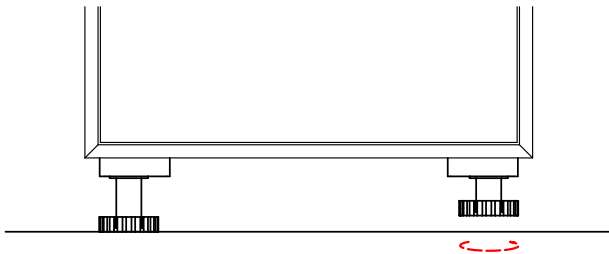
### **Step 1**

Screw cabinet feet into corresponding base plates.



### **Step 2**

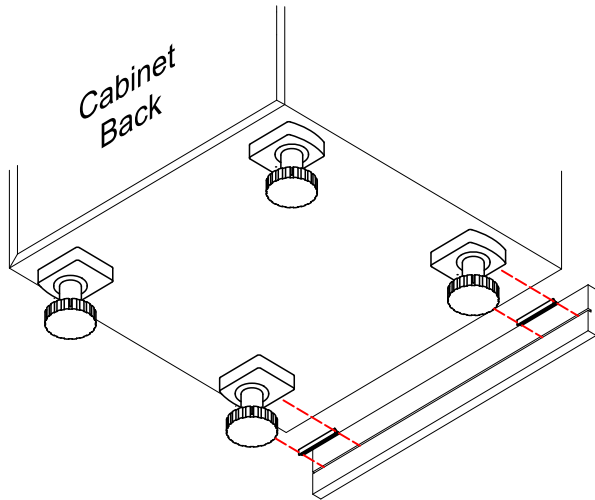
Level cabinet feet to the ground.



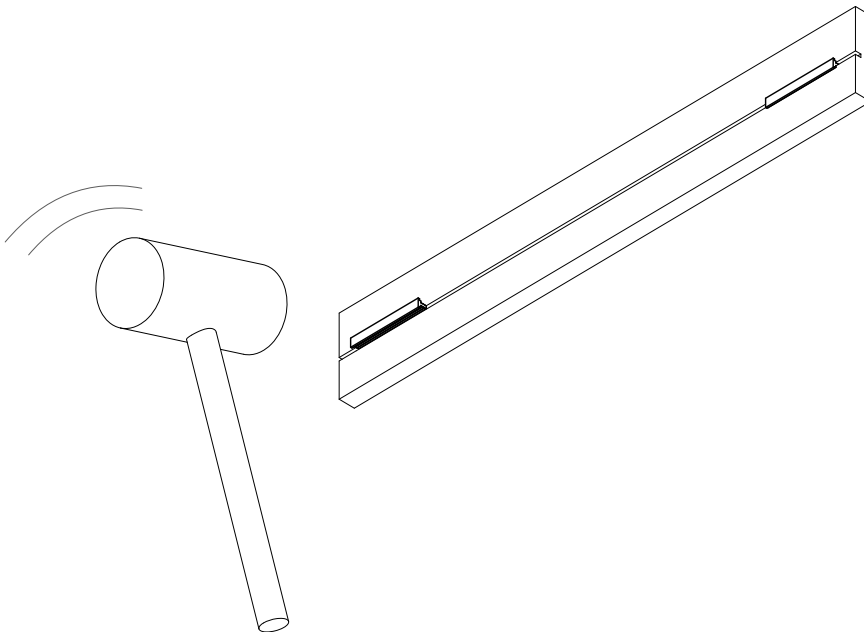


**Step 3**

Align clip to toe kick adapters with cabinet feet.

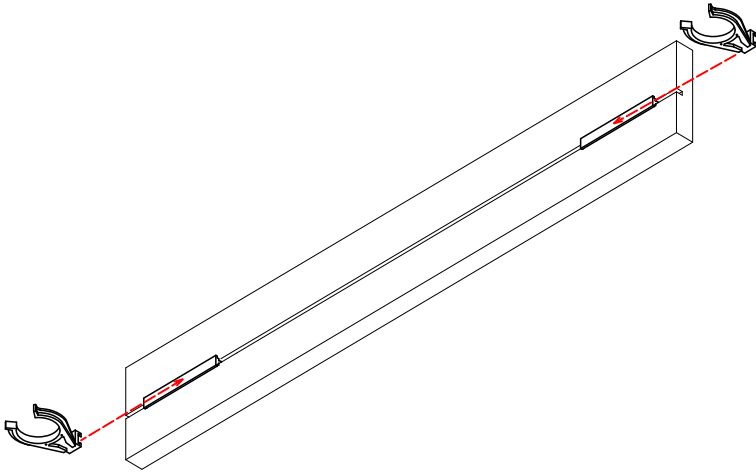
**Step 4**

Use a rubber mallet to hammer adapters into groove of toe kick.

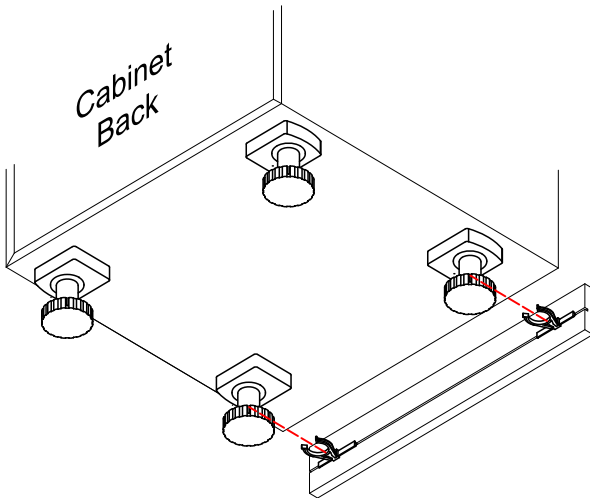


**Step 5**

Slide clips sideways over adapters so that they interlock.

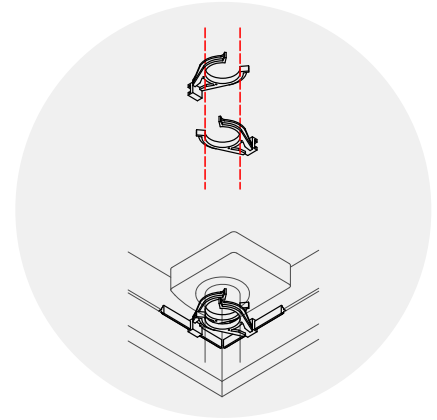
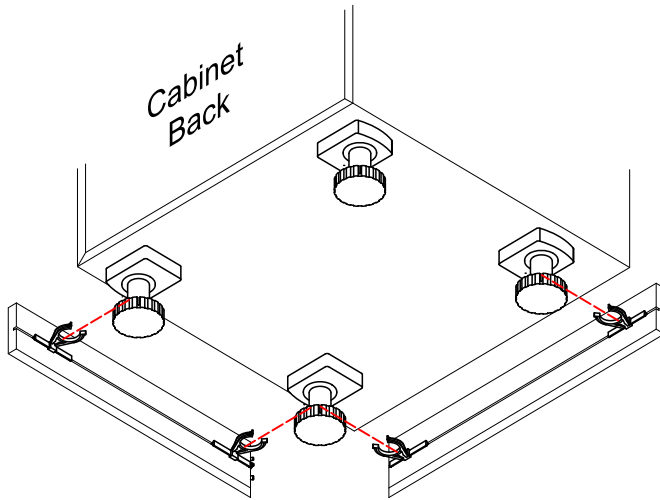
**Step 6**

Attach toe-kick-clips to feet

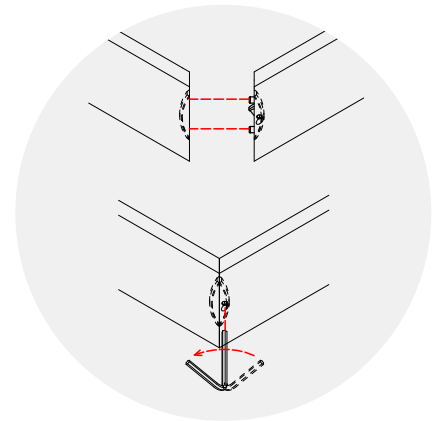
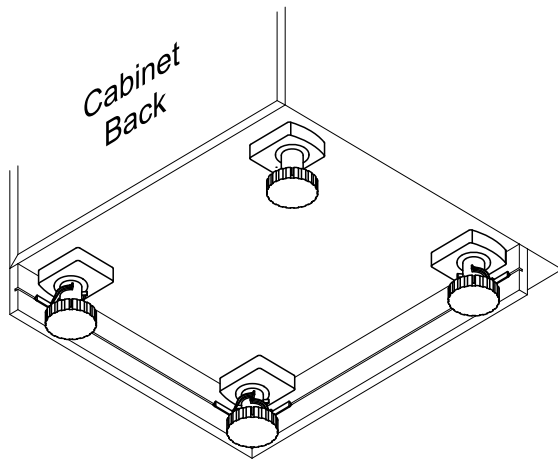


**Step 7**

At corner conditions only:

**7A.**


Where toe kick clips intersect, flip one around to attach both clips to a single foot.

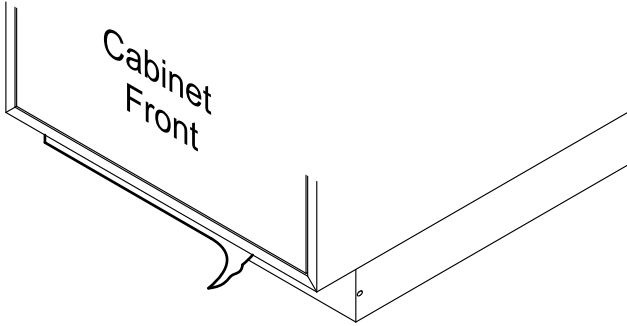
**7B.**


Use a P-connector to join perpendicular toe kicks and tighten with provided torque wrench.

A P-connector is a two-part connector. Both parts are joined by a cam-lock.

**Step 8**

Remove protective plastic film from front of toe kick.

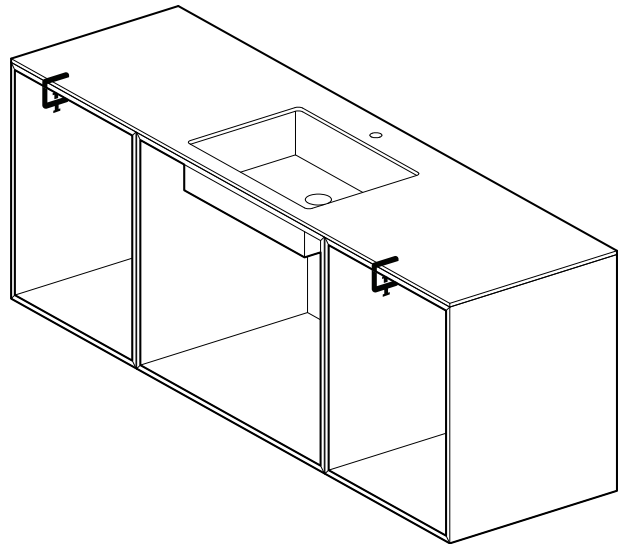
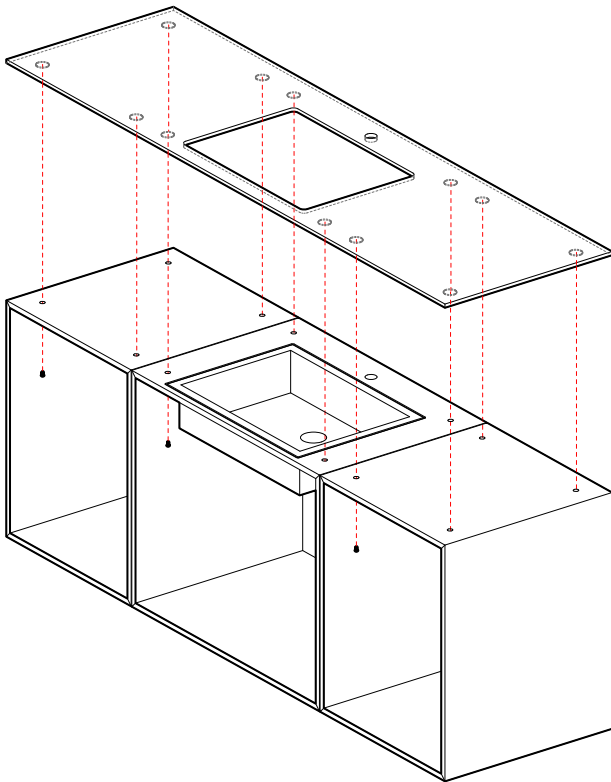


# 4 FITTING COUNTERTOPS

## Instructions

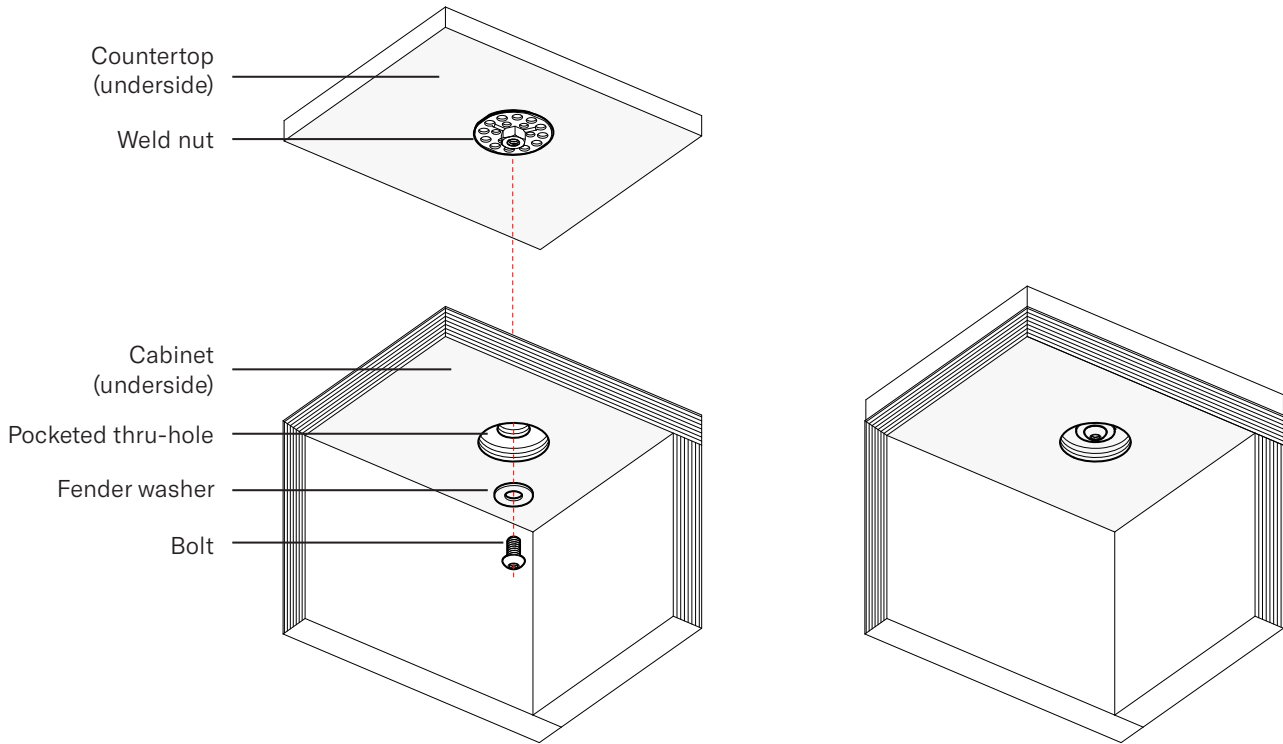
### **Step 1**

Make sure countertop aligns with base cabinets below. Clamp countertop to base cabinets if necessary.



**Step 2**

Use a fender washer and ¼” -20 screws (½” long) to connect countertop to base cabinets where needed.



# 5 SEAMING THE COUNTERTOPS

## Instructions

### **Step 1**

For seaming countertops, refer to manufacturer's instructions.



### **Note:**

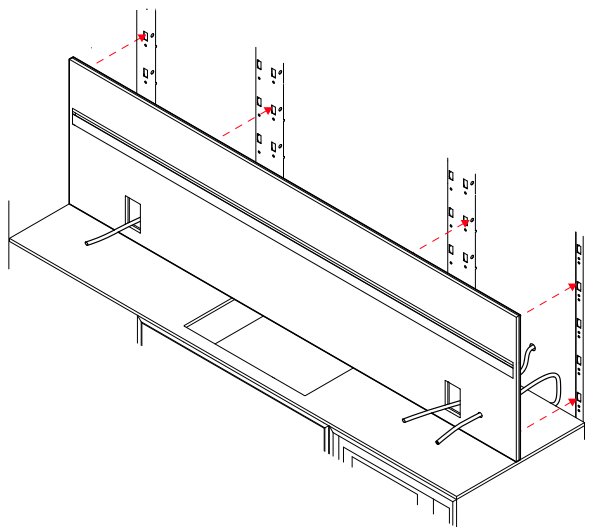
For Corian only, sequence numbers of both Corian slabs should differ by no more than 50 to ensure adequate color match.

# 6 FITTING THE BACKSPLASH

## Instructions

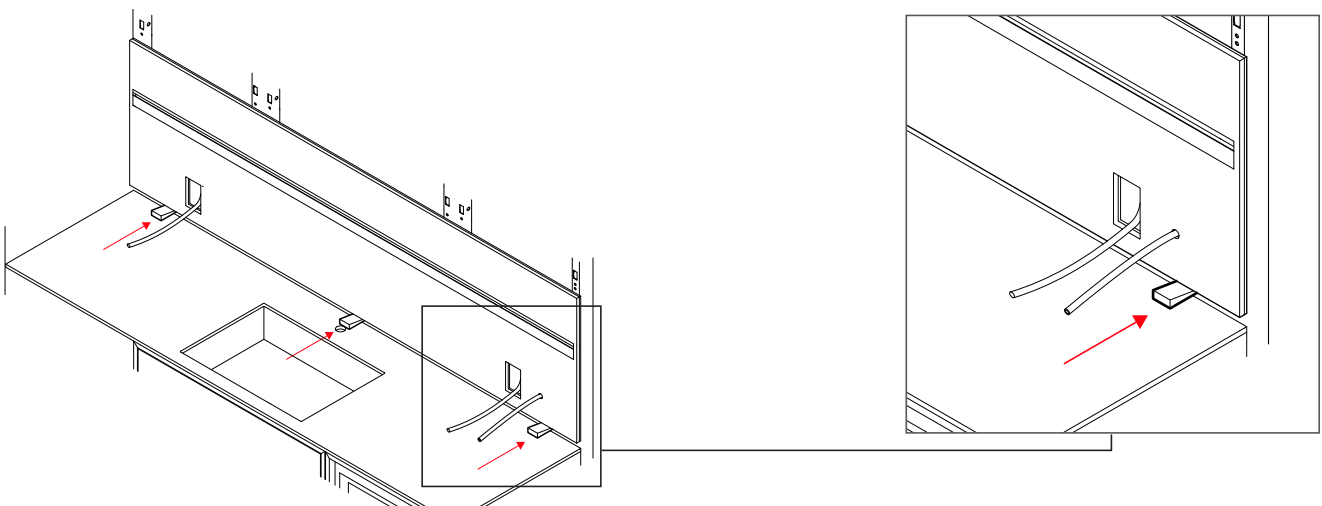
### Step 1

Thread armored electrical cables and flexible plumbing through holes in backsplash.



### Step 2

Line up backsplash with corresponding struts and place shims underneath backsplash to prevent cleats from engaging.

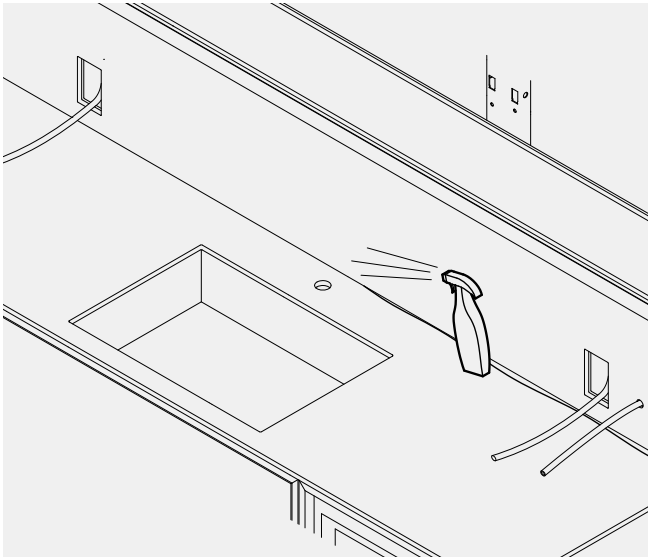




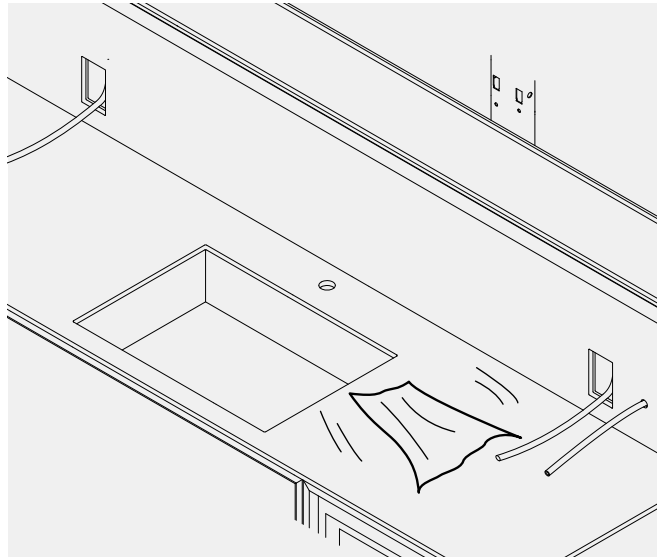


**Step 6**

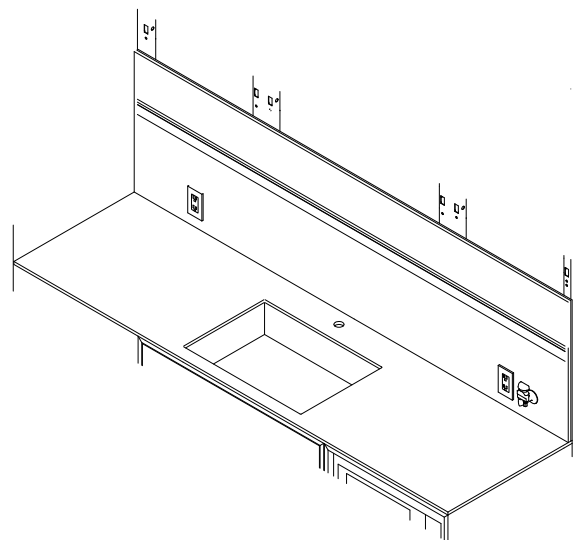
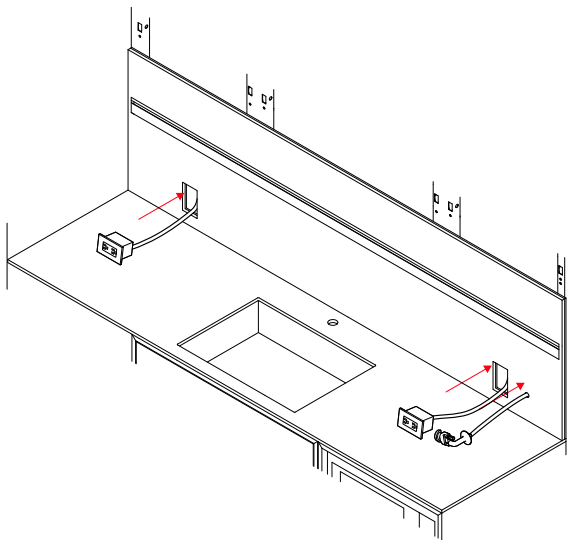
Spray glass cleaner over the silicone beading.


**Step 7**

Wipe surface and clean as necessary.


**Step 8**

Wait for silicone beading to dry and fully cure before installing electrical or plumbing.

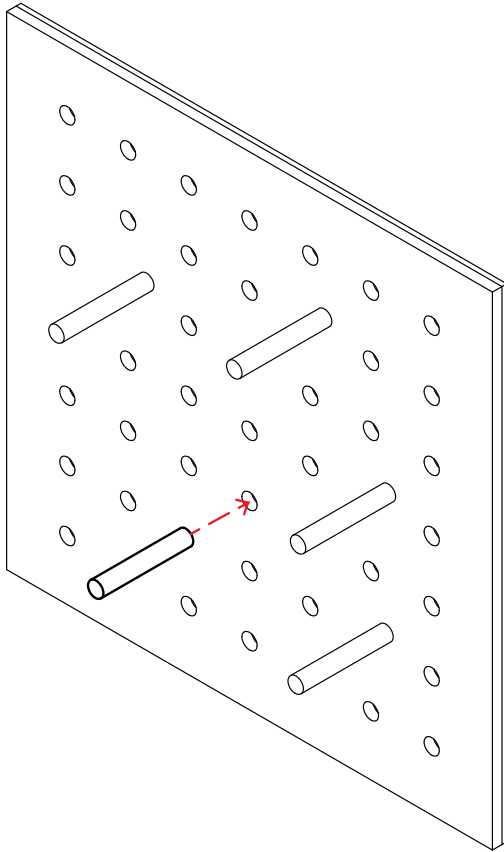


# 7 FITTING SPECIALITY ITEMS

## Installing T-Nuts into Pegboards

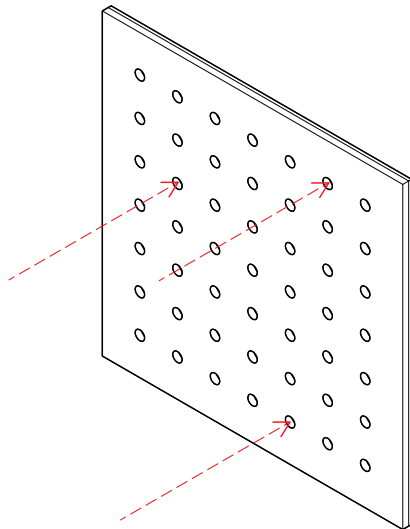
### **Step 1**

Some pegboard accessories do not require any setup, and can simply be pushed into place.



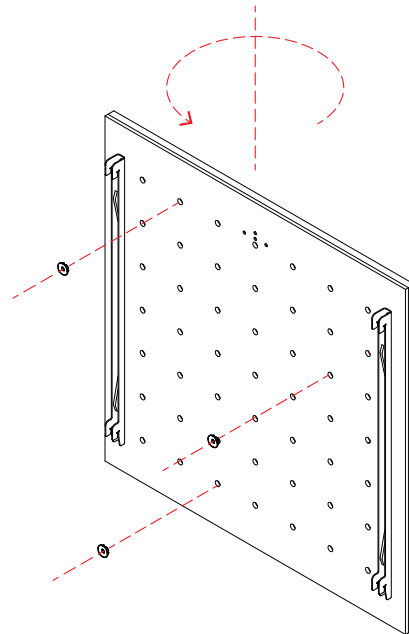
**Step 2**

For screw-in pegboard accessories, select location of accessory before mounting pegboard to Lattice System.



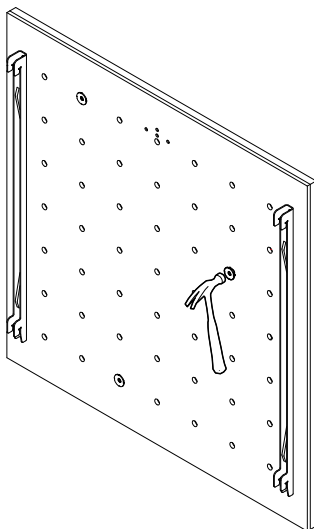
**Step 3**

Insert T-nut into the backside of pegboard at selected location.



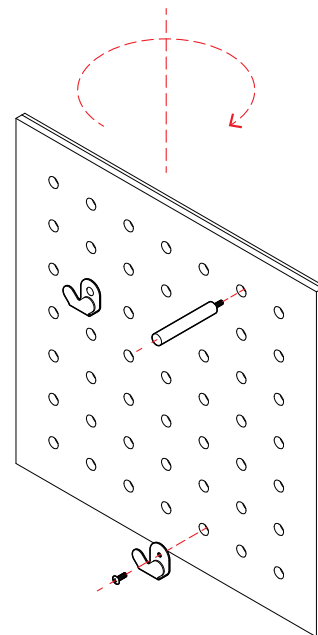
**Step 4**

Hammer T-nuts provided into the backside of pegboard.



**Step 5**

After pegboard has been installed on the Lattice System, screw accessories into selected locations.

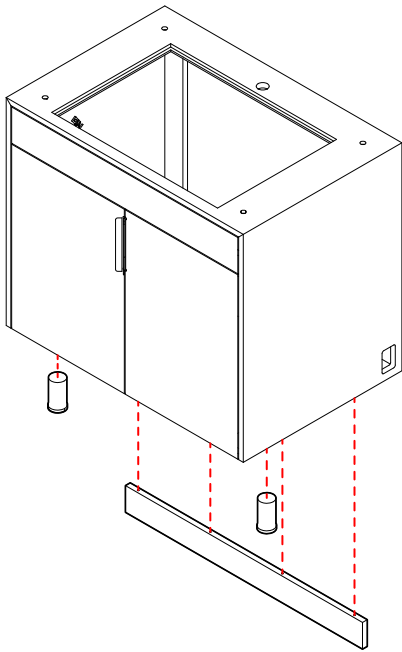


# 8 APPLIANCE CASES

## 8.1 Sink

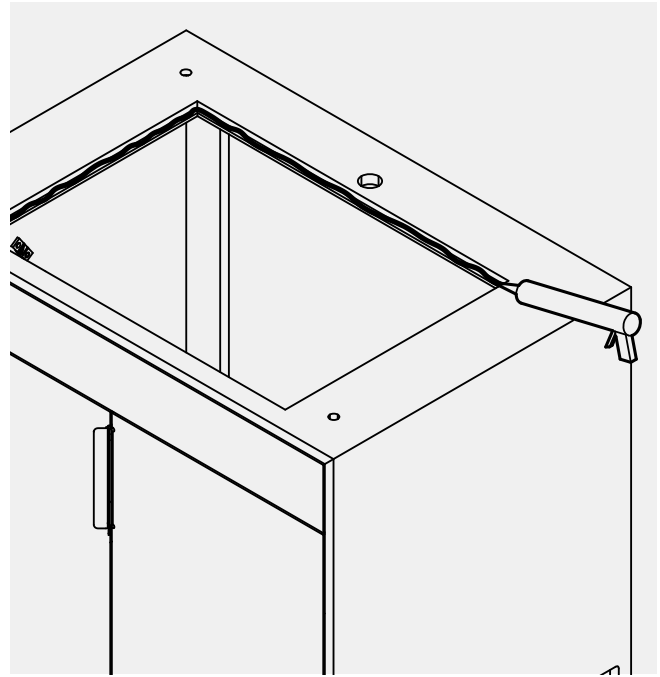
### **Step 1**

For ADA sink cabinets, install cabinet-specific feet and inset toe kick using connectors supplied with each part



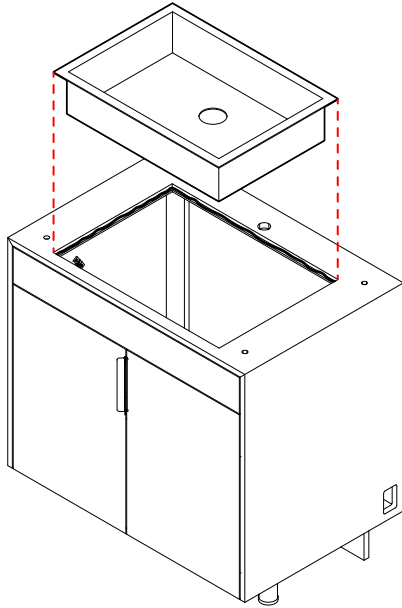
### **Step 2**

Apply clear silicone beading around the interior recessed edge of sink cabinet.



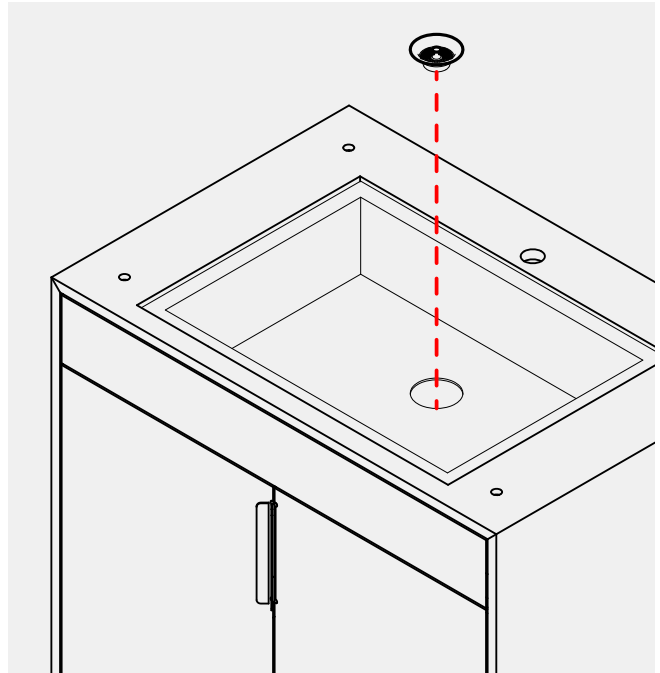
**Step 3**

Place sink basin into sink cabinet opening.



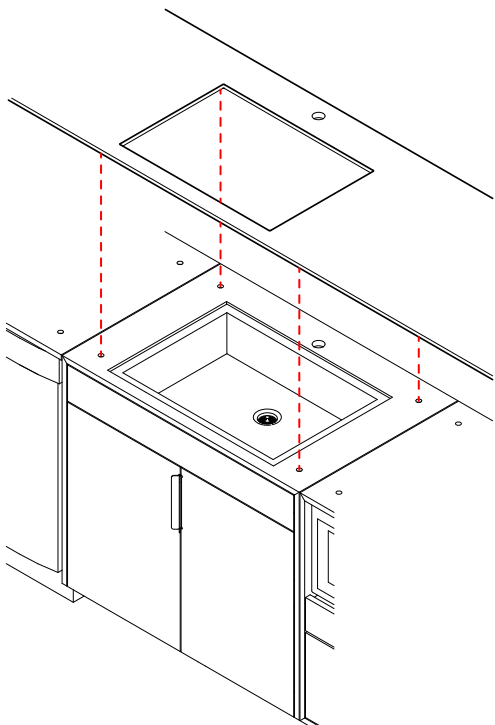
**Step 4**

Add sink strainer cup to sink basin.



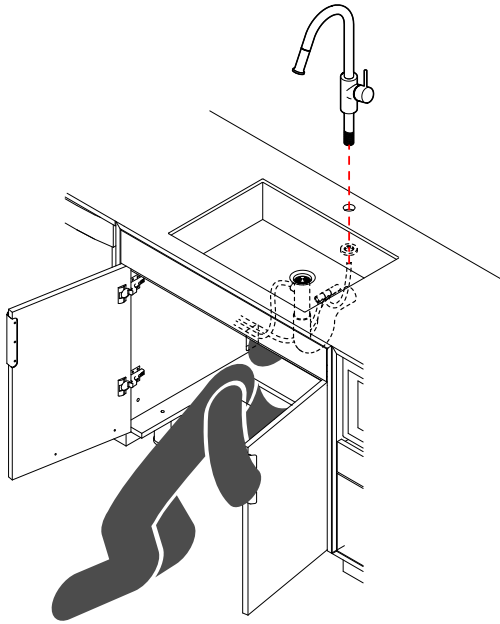
**Step 5**

Mount and seam countertop. Reference Sections 4 and 5.



**Step 6**

Before moving forward with next steps, ensure that all drains and water supplies have been connected correctly to sink basin and faucet.

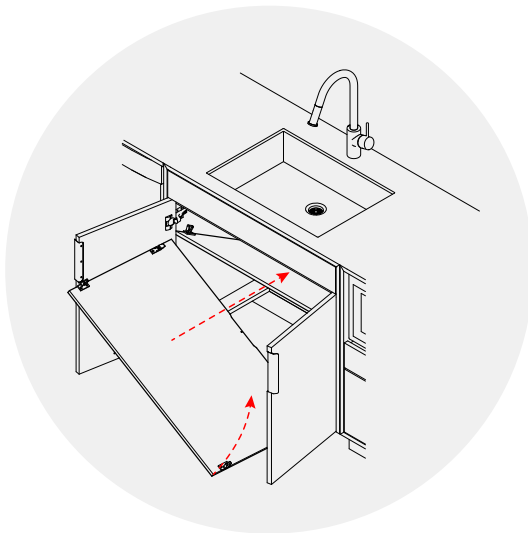
**Note:**

If assembly includes a dishwasher, run dishwasher drain and water supply through hole in side of sink case.

**Step 7**

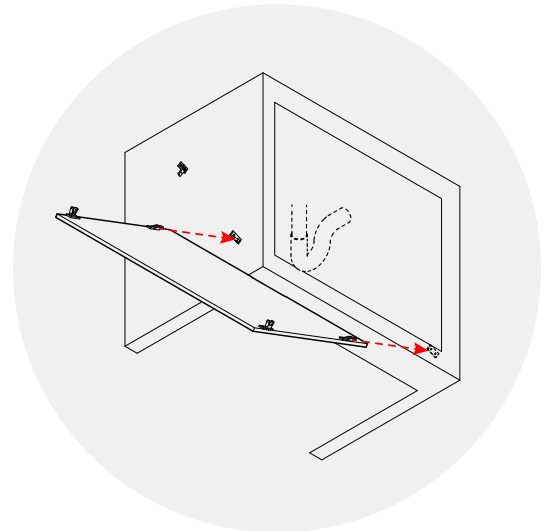
For ADA sink cabinets after plumbing hookup:

7A



Insert knee panel in at an angle to sink case until it slides into bottom of case.

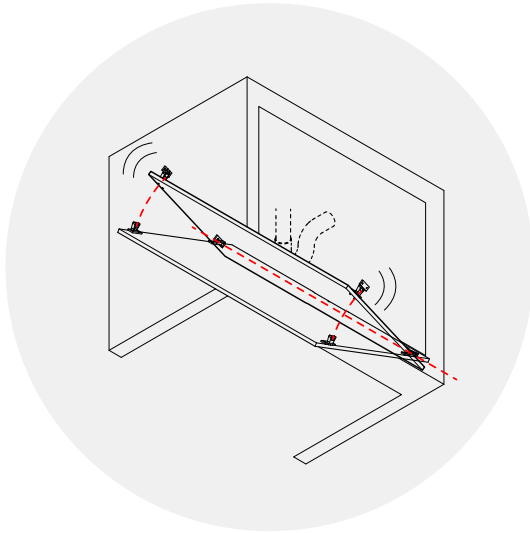
7B



Hook knee panel into corresponding pegs in lower portion of sink cabinet.

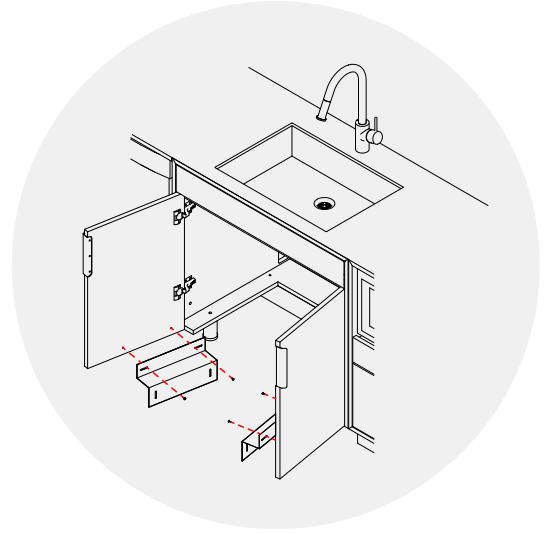
**Step 7 con.**

7C



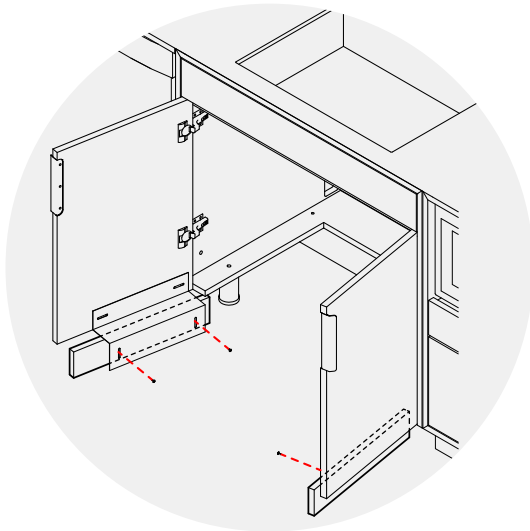
Rotate knee panel upwards until clips engage with corresponding receiving clips in sink cabinet.

7D



Align holes in EZ Kick Panel with pilot holes at back of cabinet doors and fasten panels to doors using provided hardware.

7E



Fasten toe kick panels to EZ Kick Panels.

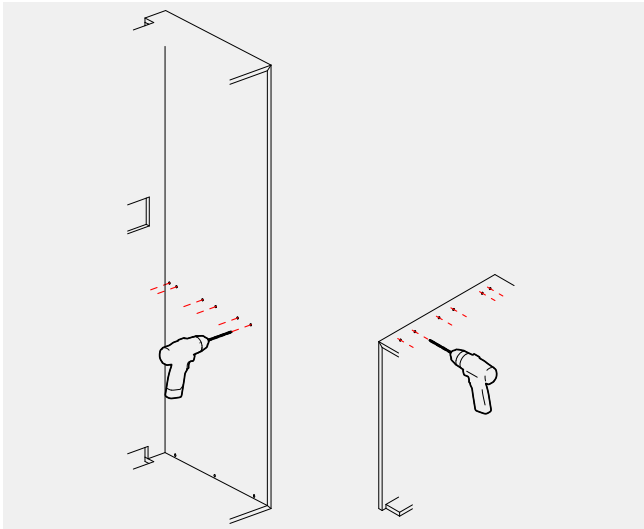


## 8.2 Dishwasher

### **Step 1**

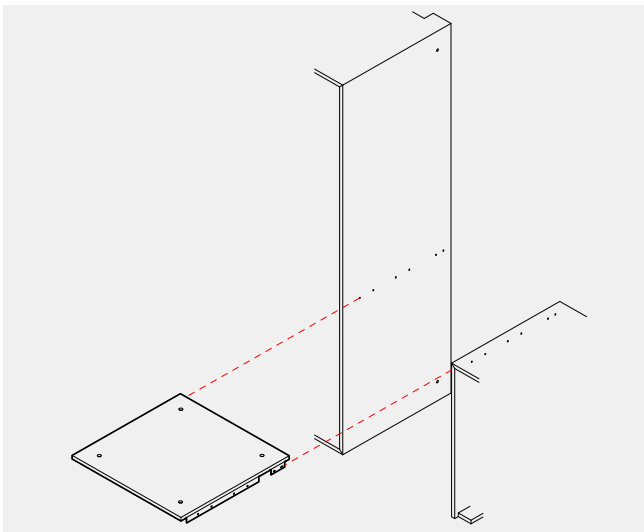
Install top panel:

1A



If dishwasher is next to a refrigerator or sink, the cases will have blind holes on the inside to use in next step. Drill out these holes with scrap wood blocking behind to avoid chip out.

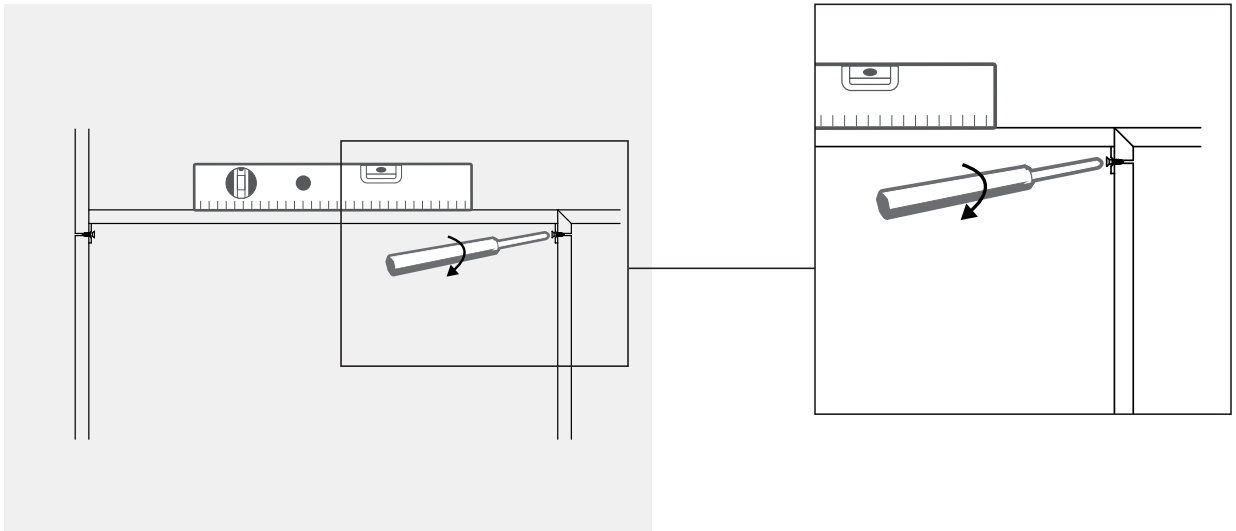
1B



Align brackets of sub-top with holes created in refrigerator cabinet and fasten brackets using hardware provided.

**Step 1 continued**

1C

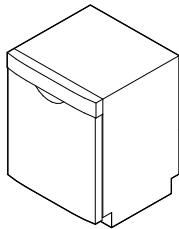


Using a bubble level, align top surfaces of both dishwasher sub-top and adjacent base cabinet. Tighten bracket.

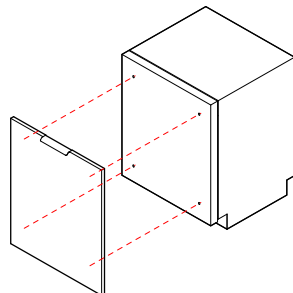
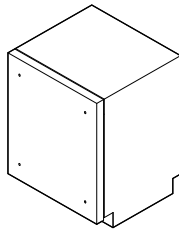
**Step 2**

Install front panel, if applicable. Follow instructions provided by appliance manufacturer for doing so.

Non-faced Dishwasher

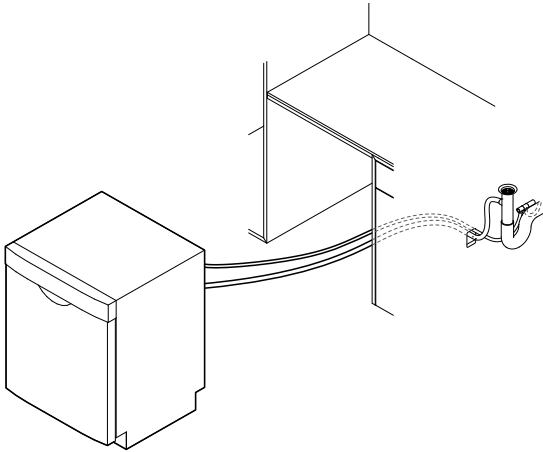


Faced Dishwasher



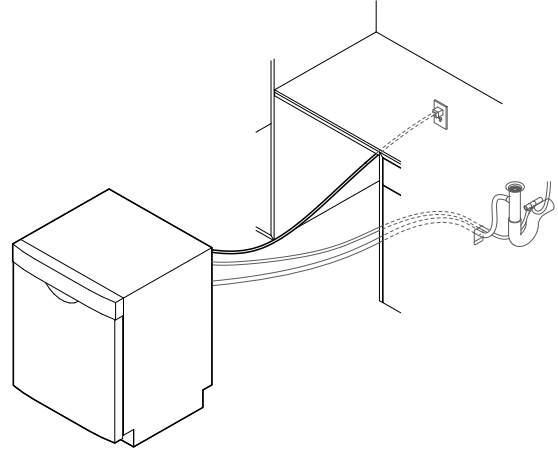
**Step 3**

Before moving forward with next steps, ensure dishwasher is connected to water supply and drain.



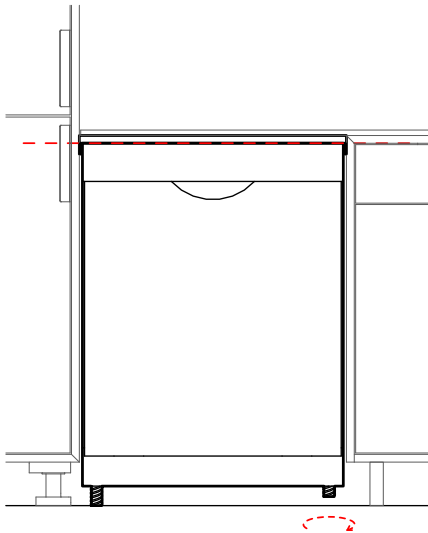
**Step 4**

Connect dishwasher to electrical supply.



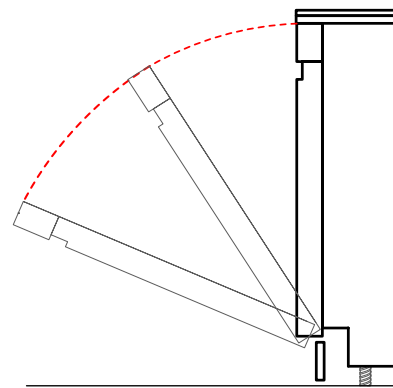
**Step 5**

Adjust leveling feet to ensure dishwasher rests below sub-top and is perpendicular to countertop.



**Step 6**

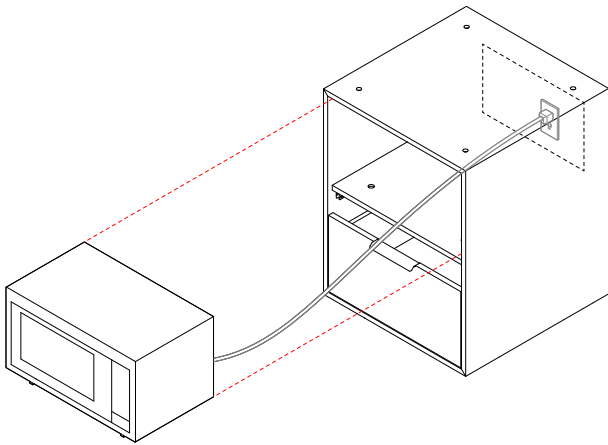
Verify there is enough clearance between door and toe kick for door to open fully.



## 8.3 Microwave Cabinet

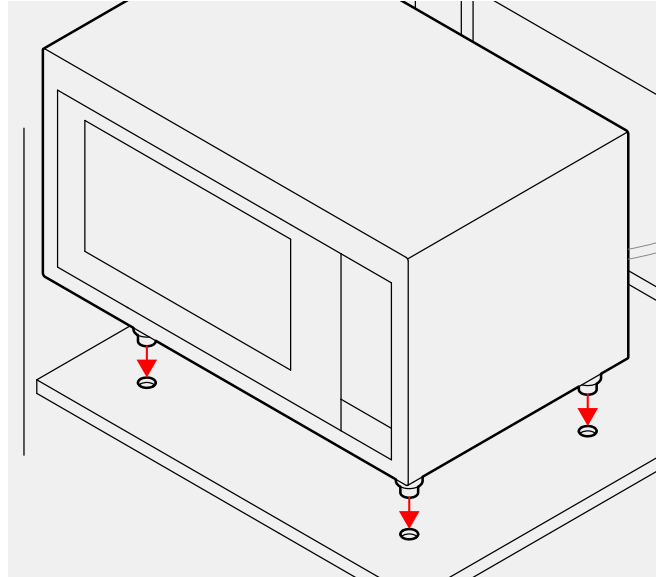
### **Step 1**

Pass electrical cable through opening in the back of microwave cabinet and plug into outlet.



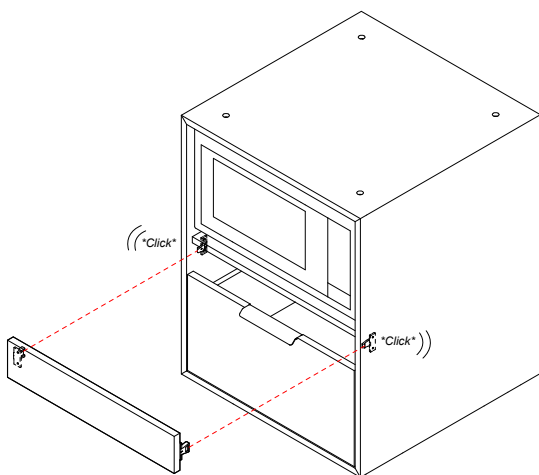
### **Step 2**

Insert microwave into cabinet until feet engage in corresponding pockets.



### **Step 3**

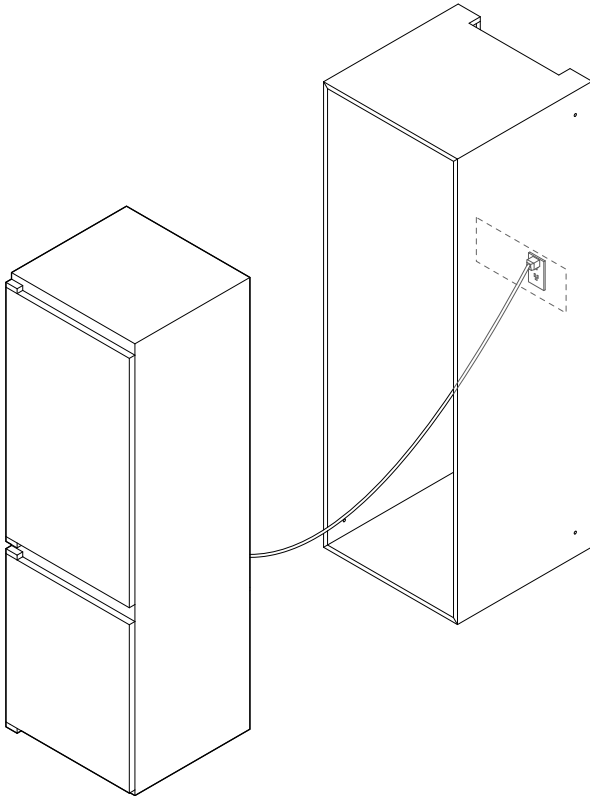
Attach false front panel using integrated Keku clips.



## 8.4 Refrigerator

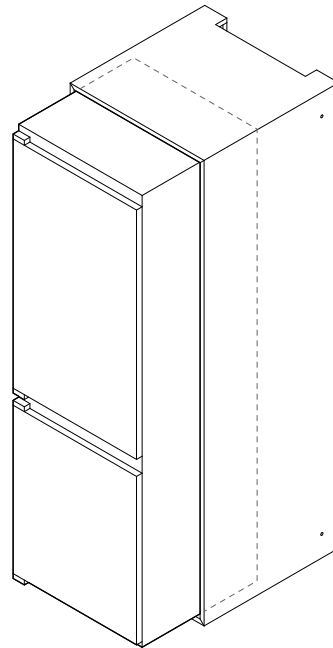
### **Step 1**

Pass electrical cable through opening in the back of refrigerator cabinet and plug into outlet.



### **Step 2**

Position refrigerator inside cabinet.

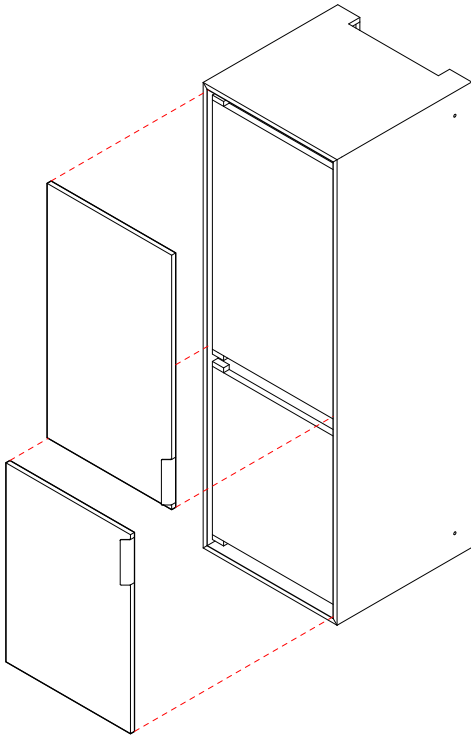


**Step 3**

Follow manufacturer instructions to install door panels and complete assembly.

**Note:**

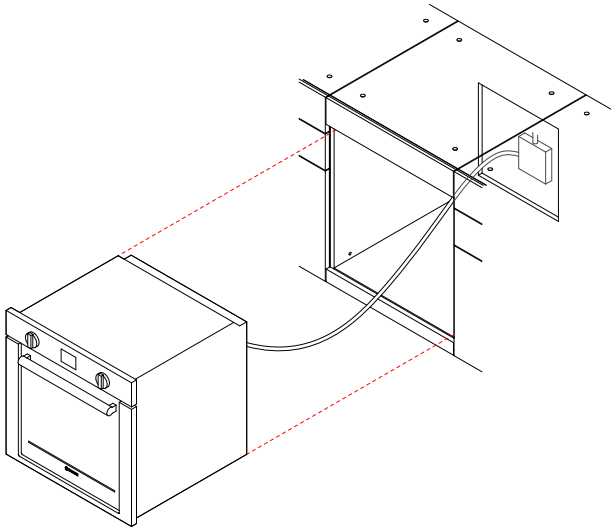
For 24" refrigerators, adjust front panels to leave a 1/16" inset between edge of case and refrigerator door. Leave 1/8" gap between refrigerator and freezer door.



## 8.5 Oven

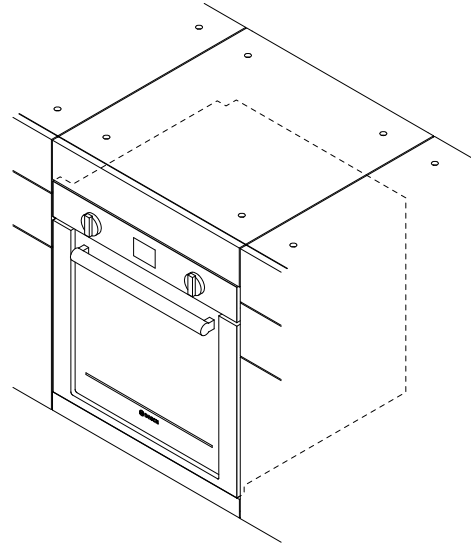
### **Step 1**

Leave enough space for electrician to perform electrical hookup through open back of oven cabinet.



### **Step 2**

Once electrical connection is complete, insert oven into cabinet.



### **Step 3**

Follow manufacturer instructions to complete installation.



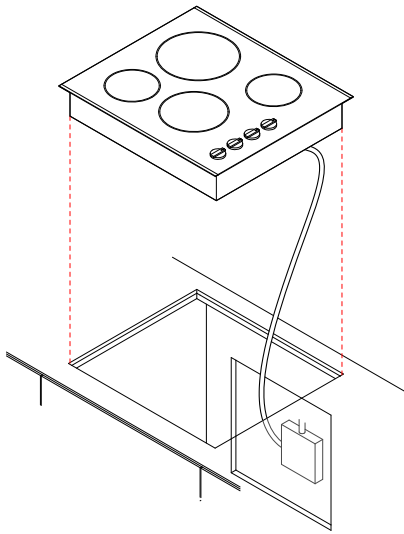
## 8.6 Cooktop

### **Note:**

Install cooktop after countertop installation.

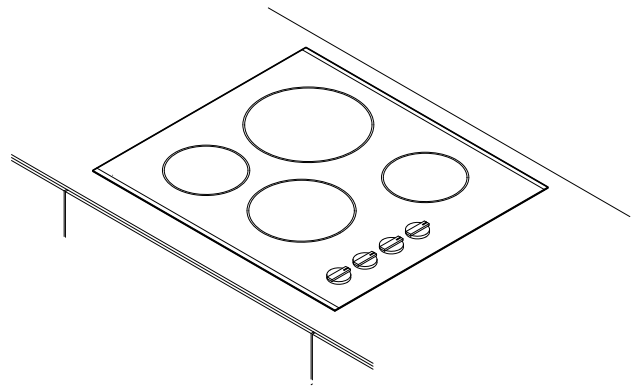
### **Step 1**

Leave enough space for the electrician to perform electrical hookup through open back of cooktop cabinet.



### **Step 2**

Once the electrical connection is complete, insert cooktop into countertop opening.



### **Step 3**

Follow manufacturer instructions to complete installation.





## 8.7 Hood

### **Step 1**

Refer to manufacturer's instructions for installation.





BENTOBUILD

BentoBuild  
254 36th Street  
Floor 6, Suite C663  
Brooklyn, NY 11232

o +1 718.260.8200  
BentoBuild.com